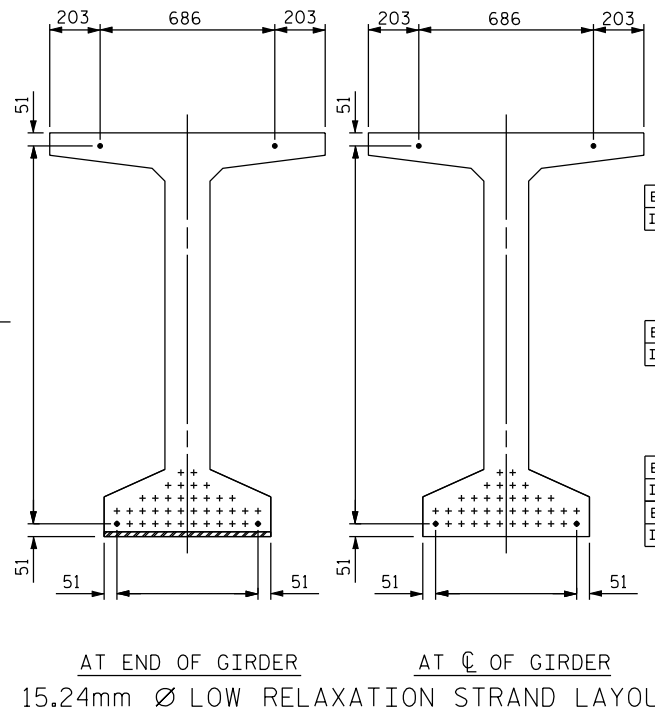


38mm Ø FORMED HOLE. SEE ELEVATION FOR LOCATION. FOR DIM. "A", "B" & "C" SEE "INTERMEDIATE STEEL DIAPHRAGMS" SHEET.)

DEBONDING LEGEND

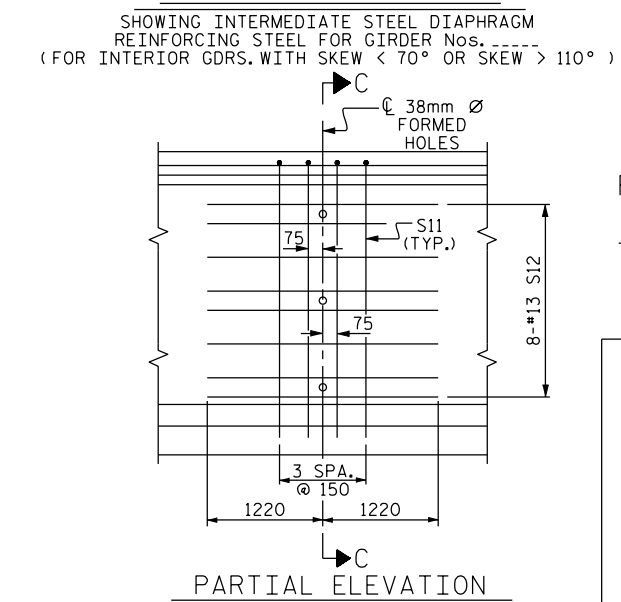
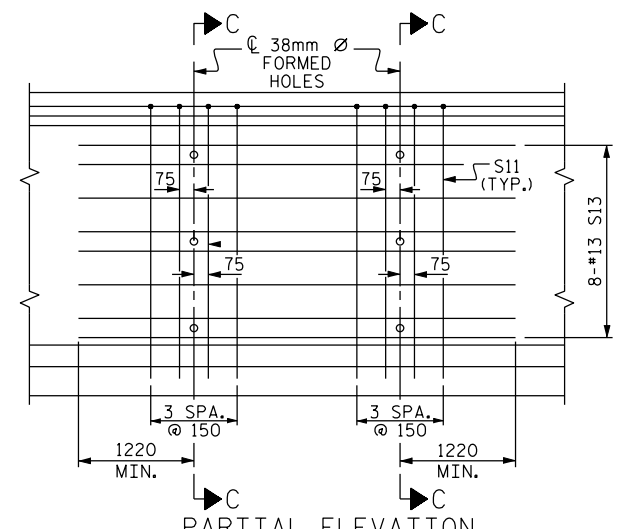
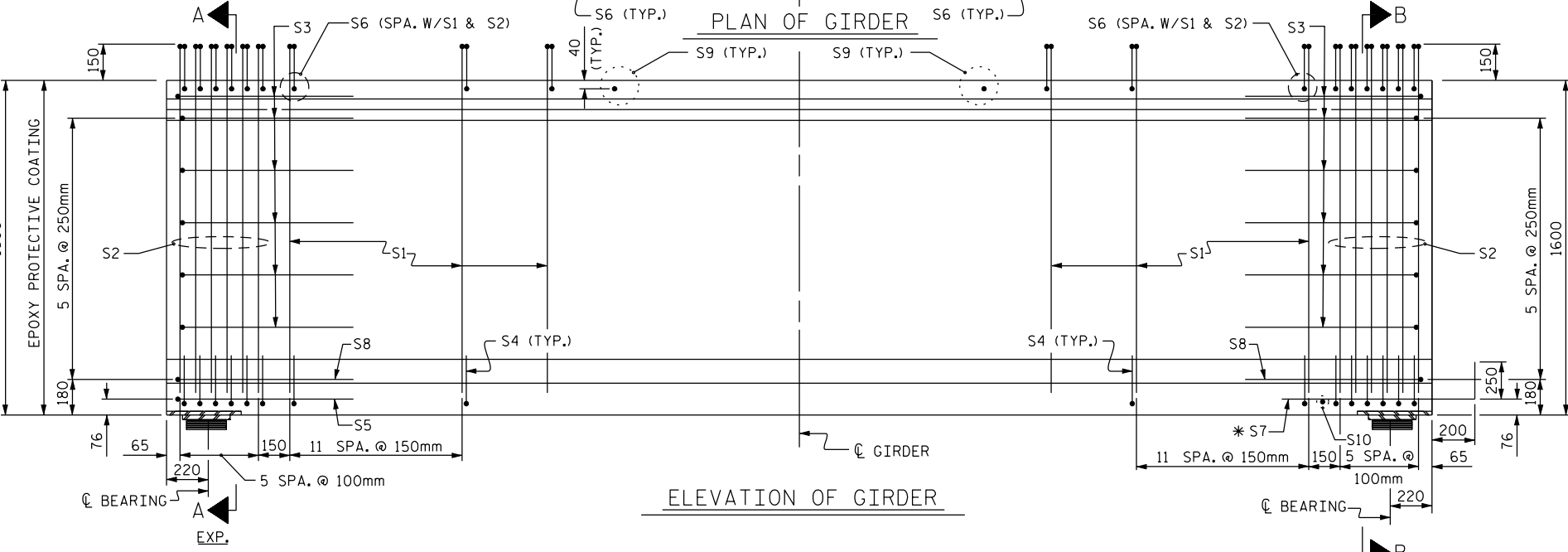
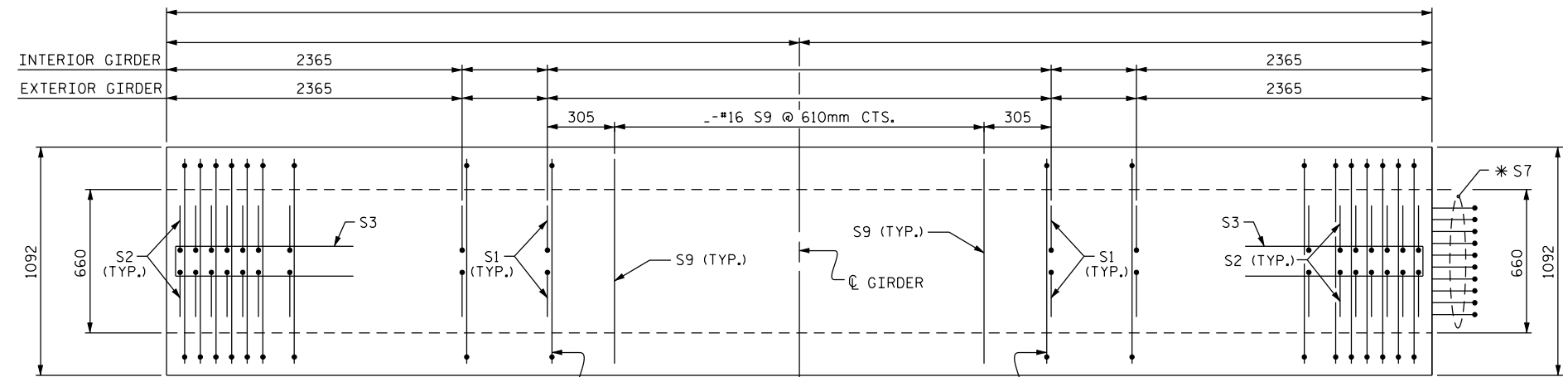
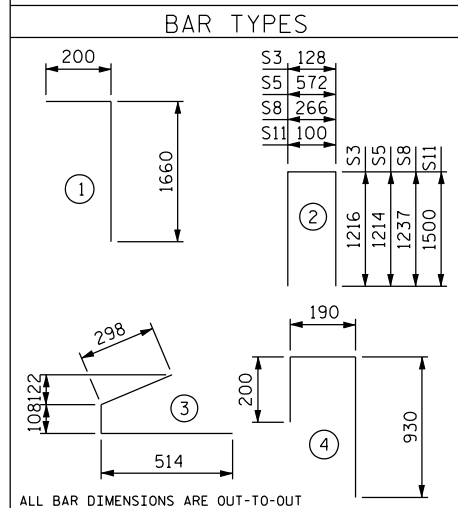
- FULLY BONDED STRANDS
- STRANDS DEBONDED FOR 1.220m FROM END OF GIRDER
- STRANDS DEBONDED FOR 1.830m FROM END OF GIRDER
- STRANDS DEBONDED FOR 2.440m FROM END OF GIRDER
- STRANDS DEBONDED FOR 3.050m FROM END OF GIRDER
- STRANDS DEBONDED FOR 3.660m FROM END OF GIRDER



15.24mm Ø L.R. GRADE 270 STRANDS		
AREA (mm ²)	ULTIMATE STRENGTH (KN PER STRAND)	APPLIED PRESTRESS (KN PER STRAND)
140.00	260.7	195.5

REINFORCING STEEL FOR ONE GDR					
BAR	NUMBER	SIZE	TYPE	LENGTH	WEIGHT
EXTERIOR GDR. S1		#13	1	1860	
INTERIOR GDR. S1		#13	1	1860	
S2	24	#16	1	1860	69
S3	12	#13	2	2560	31
S4	72	#13	3	920	66
S5	1	#16	2	3000	5
EXTERIOR GDR. S6		#16	4	1320	
INTERIOR GDR. S6		#16	4	1320	
* S7	10	#16	STR	1120	17
S8	2	#16	2	2740	9
S9		#16	STR	980	
S10	1	#10	STR	560	1
EXTERIOR GDR. S11		#16	2	3100	
INTERIOR GDR. S11		#16	2	3100	
EXTERIOR GDR. S12		#13	STR	2440	
INTERIOR GDR. S		#13	STR		

* NOTE: S7 BARS SHALL BE BENT BEFORE SHIPMENT. HEAT BENDING SHALL NOT BE ALLOWED.



QUANTITIES FOR ONE GIRDER			
REINFORCING STEEL	MPa CONCRETE	15.24mm Ø L.R. STRANDS	
		kg	No.
EXTERIOR GIRDER			
INTERIOR GIRDER			

GIRDERS REQUIRED		
NUMBER	LENGTH	TOTAL LENGTH

PROJECT NO. _____

_____ COUNTY

STATION: _____

STATE OF NORTH CAROLINA
DEPARTMENT OF TRANSPORTATION
RALEIGH

STANDARD
1600mm PRESTRESSED CONCRETE
MODIFIED BULB TEE
CONTINUOUS FOR LIVE LOAD

ASSEMBLED BY : _____ DATE : _____
CHECKED BY : _____ DATE : _____
DRAWN BY : EEM 2/6/97 REV. 8/16/99 RWW/LES
CHECKED BY : VAP 2/6/97 REV. 10/17/00 RWW/LES
REV. 5/1/06R TLA/GM

*****SYSTEM*****
*****SDGN*****
*****USERNAME*****

REVISIONS						SHEET NO.
NO.	BY:	DATE:	NO.	BY:	DATE:	
1			3			TOTAL SHEETS
2			4			

STD. NO. PCG9SM